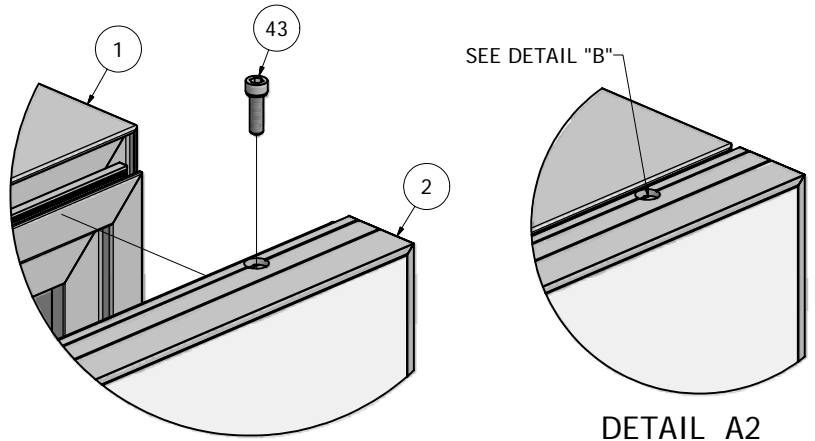
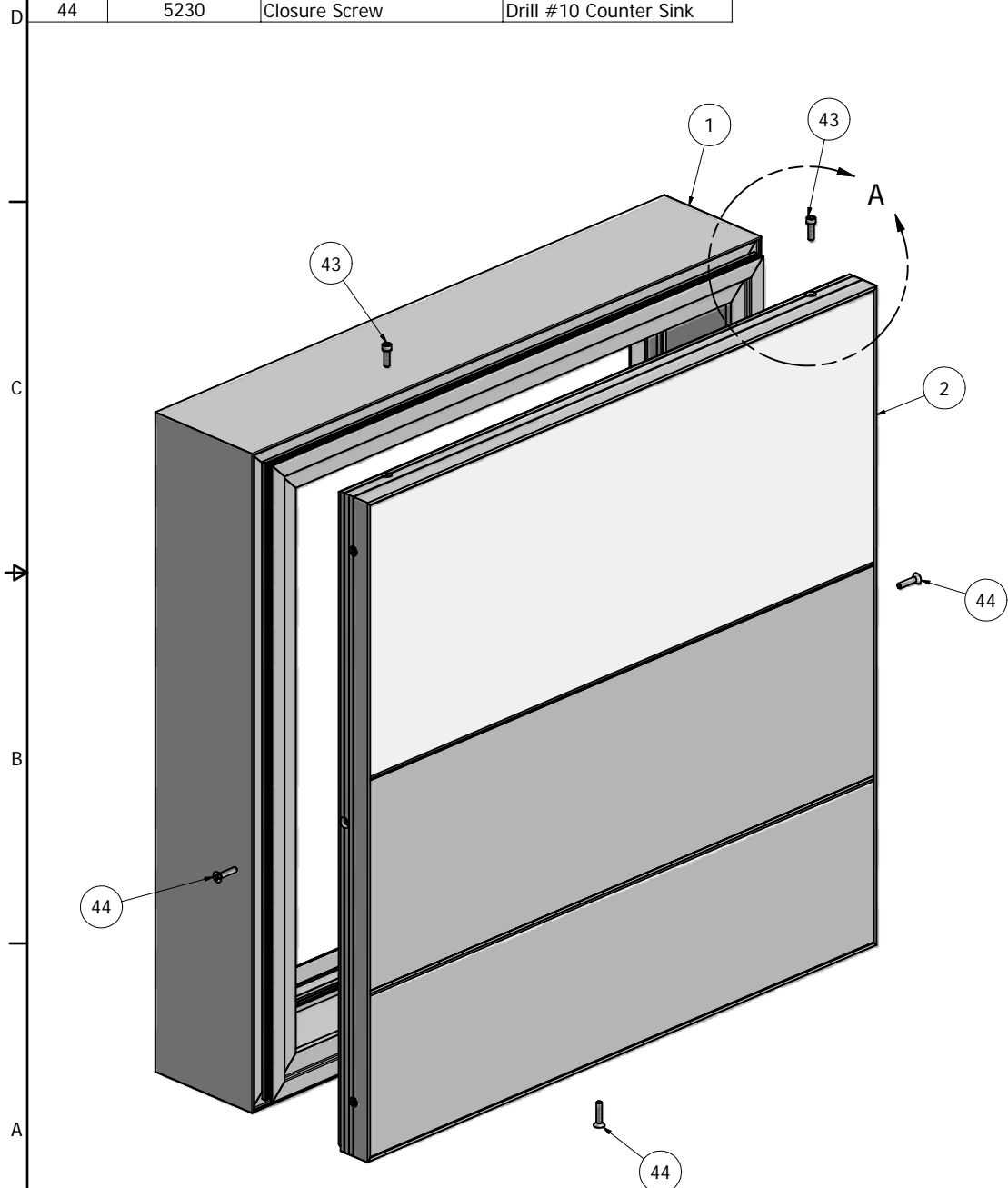
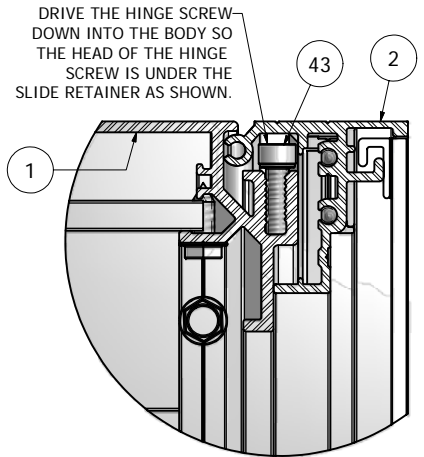


Parts List			
ITEM	PART #	DESCRIPTION	NOTES
1	K1602	Series 7 Single Face Body	Assembly
2	K1666/90/96/68	Insert Panel System	Assembly
43	5280	Hinge Screw	Drill 11/32" Pilot Hole
44	5230	Closure Screw	Drill #10 Counter Sink



DETAIL A

DETAIL A2



DETAIL B

NOTE: PRE-CUT KITS ARE NOT PRE-DRILLED.
 (Holes shown in this drawing are for reference only.
 Drilling of pilot holes are to be done by fabricator.)

THIS DRAWING WAS CREATED AT NO CHARGE TO ASSIST YOU IN VISUALIZING OUR PROPOSAL. THE DRAWING HEREIN IS THE PROPERTY OF SIGNCOMP. PERMISSION TO COPY OR REVISE THIS DRAWING OR TO USE THIS DRAWING FOR PRODUCTION IS STRICTLY PROHIBITED AND CAN ONLY BE COPIED, REVISED OR USED FOR PRODUCTION WITH THE EXPRESSED WRITTEN PERMISSION OF SIGNCOMP.

DRAWN	Steve	2/4/2009	SignComp		
CHECKED					
QA			TITLE		
MFG			Series 7 Single Face Hinge Body - Insert Panel - Assembly		
APPROVED			SIZE	DWG NO	REV
			C	K1602/66/90/96	
			SCALE	SHEET 1 OF 1	